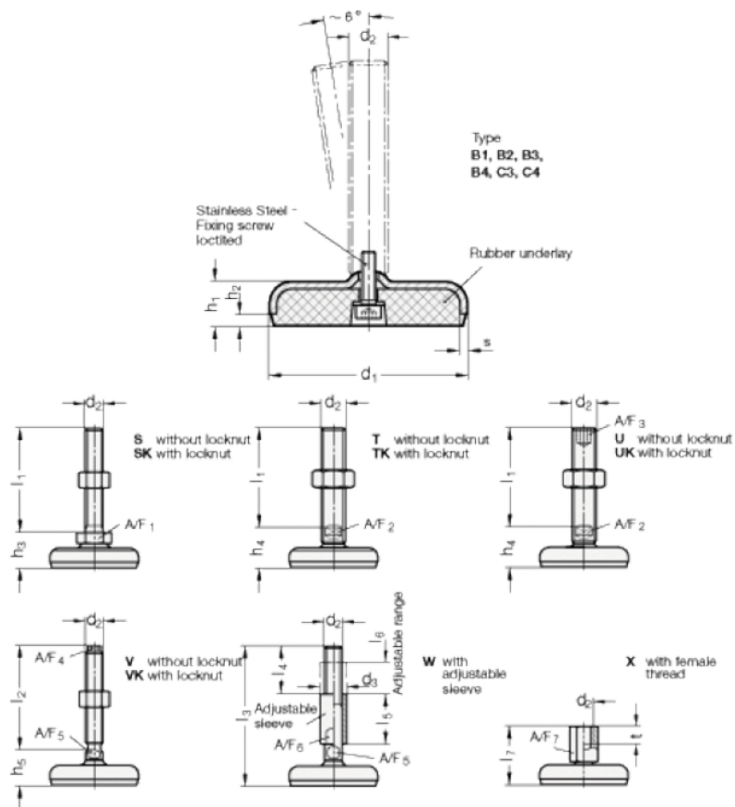


Article number: 203160M10100B1S

Description: E+G levelling foot
GN 31-60-M10-100-B1-S

Note: S Without nut, External hexagon at the bottom

Measures



| | |
|-----------|-------|
| A/F1- | = 17 |
| d1 | = 60 |
| d2 | = 10 |
| h1 | = 16 |
| h2 | = 4 |
| h3 +4.0/0 | = 26 |
| l1 | = 100 |
| s | = 3 |